

How it works...



The easy to install drink cup is available as an option on our watering systems.



The filtration system keeps the nipple valves clean and ensures drinking water with less impurities. Medication is easily distributed through the medicator manifold.

Water Monitor



- Monitors the water consumption with up to 4 different meters.
- Calculates the water consumption of your poultry.
- An alarm output with user-defined settings.



Water Pulse Meter

Each display unit had an output for a water pulse meter allowing water consumption to be monitored using the Water Meter Controller.





High Quality
Low maintenance

Pipe Alignment Clip

New! Hanger clips ensure a tight connection and maintain nipple valves downward at 90 degrees.

Hi-Lo System

- Standard large volume supply pipe - 1.05" (27mm).
- Light resistant water pipe prevents algae.
- Conduit or Aluminum support rail.
- Easy push together assembly.
- No glue required.
- Folding hangers hold the watering tube/nipples firmly in place while allowing the support tube to freely slide should it expand or contract in changing climates.

Introducing...

New Cumberland!

HI-LO® Watering System

The HI-LO Series system features HI-LO flow rate nipple valves. This important innovation includes the 360° side-to-side toggle action, plus an increased flow rate with vertical lift action. Cumberland nipples use a stainless steel upper pin for water flow control, giving longer life and a more precise flow rate. Cumberland's experience and engineering continue to bring to you a complete watering system loaded with innovations, features and low maintenance reliability, providing for large healthy birds and dry floors.



New! Twin Lock nipple valve attracts chicks with its innovative lower pin drinker cavity.



CP33



The water motor functions on demand with water flow. Inside the motor is a fixed diaphragm assembly that travels up and down with alternating filling of the upper and lower chambers. After years use, the water meter can be totally rebuilt in about 20 minutes.

The Smart Mix for
Chemical Injection

Reliability

- No piston mechanism
- No chemicals enter the water motor

Consistent Accuracy

- From low flow rates for day old birds to 720 GHP.

Thick Pharmaceuticals

- Tetracycline
- Amoxicilin

Reduced ongoing cost

- No electricity.
- Less maintenance since there is no piston to wear out, no high failure switches required.
- Simple, fast pump replacement without tools.
- Increased uptime.
- Direct factory support.

Better management resulting in better yield

- Superior, more consistent accuracy
- Immune to power failure

Flexible installation

- Mobile
- Non-electric
- Compact and lightweight
- Versatile
- Inject multiple chemicals simultaneously

Reduced initial cost

- Lower install costs
- Attaches easily to any size water line
- Requires no electricity connection

Spec

Chemical flow.....1:100, 2:100, 1:128, 2:128
 Accuracy.....Plus/minus 5%
 Viscosity.....Up to 3000cps
 Pressure.....2 PSI to 80 PSI, 1.38 BAR -5.51 BAR
 Min/max Flow..... 1-720GPH (.167-12GPM), 3.78-2,724 l/H
 Min/max Temp.....40-110 F, 4.5-43.3 C
 Fitting/Connection..3/4" NHT (National Hose Thread)
 Size.....11"hx8 1/2"w x 10" d
 Weight.....6 3/4 lbs

Cumberland Water Regulator



End Cap Assembly

- The only regulator with end cap design for optional center house regulation. One regulator can be used for end house or center house regulation.



Removable End Cap

- Cumberland End-Line Regulator has a unique In-Line watering outlet design that enables it to be used as a Mid-Line Regulator with a simple removal of an End Cap.

- Flushing of the Cumberland Watering System requires no EXTRA plumbing and valves.

- Simplicity of Inventory: Cumberland Water Regulator is designed and packaged for all watering applications being: Aluminum Rail, Round Pipe, Hose Threads and Pipe Threads.

- The Cumberland Regulator can be easily removed from the watering Line without interfering with the suspension of the watering Line.
- The heavy-duty housing of the Cumberland Water Regulator design will accept higher incoming water pressure and help prevent any leakage where housing is bolted together.
- Optional square pipe adaptor kit is available for Square Pipe System.

New! Convenient Flush



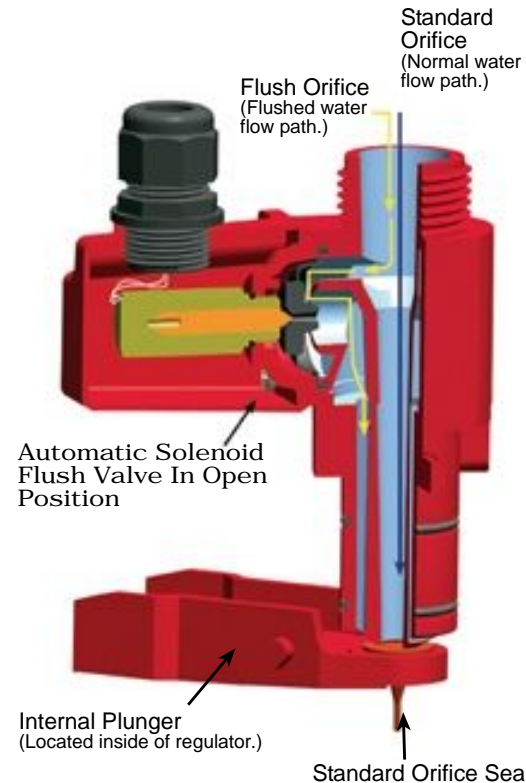
- Self sealing cap at clear sight tube to prevent water spillage.

Take Control with Cumberland's New Auto Flush Valve

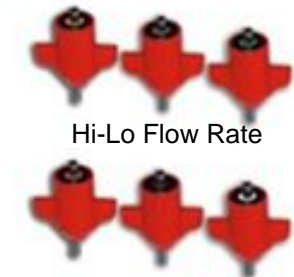
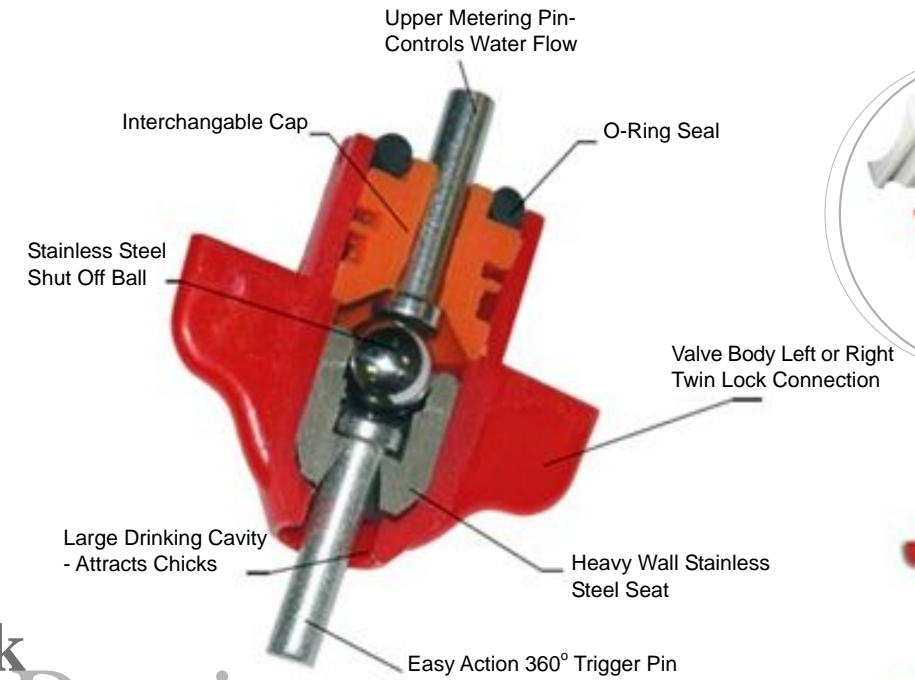
- Cumberland unique Water Regulator is designed for greater versatility and ease of use, no by-pass necessary. (manual version shown above)

Solenoid Flush Valve

- Cumberland now offers an automatic solenoid flush valve as optional system that easily adapts to already installed regulator. Unattended flushing is now possible when activated by a controller or lock timer.



New Twin Lock Design



Hi-Lo Flow Rate



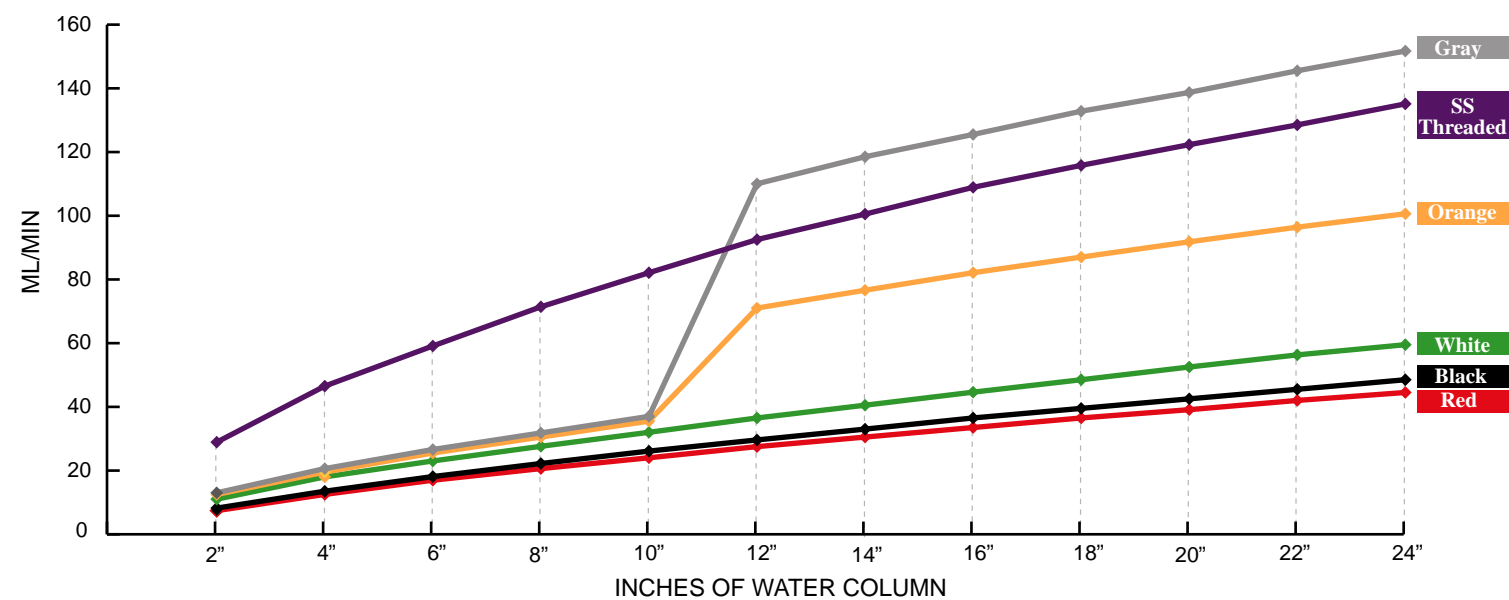
J-Lock 9000 series

Stainless Nipple Valves

	Twin Lock	J-Lock
Red	-9035 T	V-9035
Black	CW-8035 T	CW-8035
White	CW-9197 T	CW-9197
Gray	9580 T	9580
Orange	CW-9440 T	CW-9440

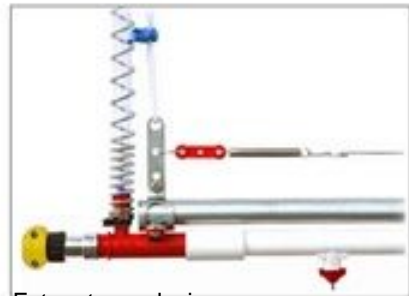
- 7 different styles available to meet all watering needs.
- High precision stainless steel ball and seat.
- Only 3 moving parts.
- Extra long life.
- 360° toggle.
- Four times easier action.
- Lower pin drinking cavity attracts chicks.
- Standard Twin Lock connection interchanges with other brands.
- Quick and easy assembly (no wrench required)
- The double locking feature compresses and seals the o-ring uniformly around the drinker.
- All J-Lock styles and flow rates will be available in the new Twin Lock system.

All flow rates are based on 20" water column @ 70-73 degrees



Quick & easy Assembly

End Kit-Auto Flush CW-9500



- Extra strong design
- All flexible sight gauge allows easy pressure reading.
- Garden hose drain.

Air Vent CW-9510



- Bleeds air from high spots.
- Offers mid-line sight gauge reading.
- Can be installed anywhere.

Innovative Regulator

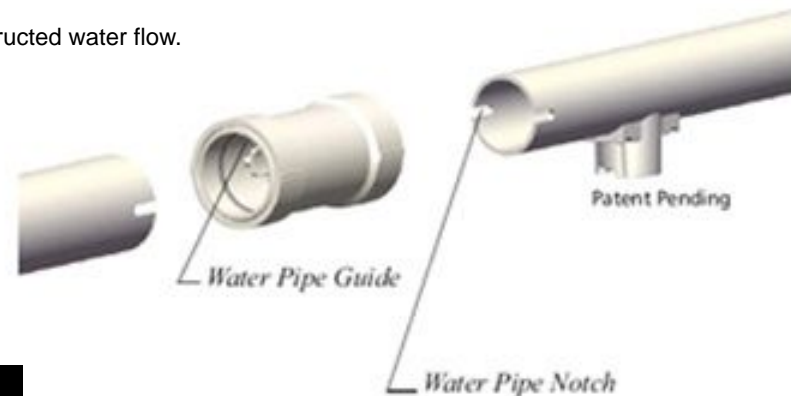


- Delivers high volume of water at an adjustable pressure.
- Heavy construction.
- Square pipe adaptor available as an accessory.

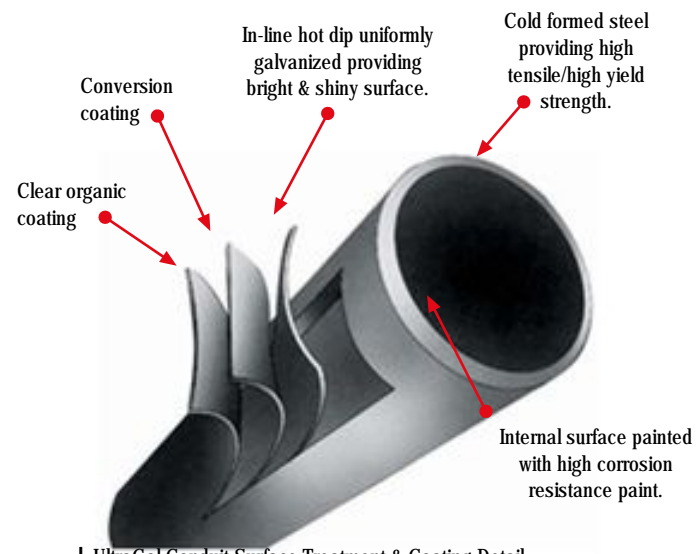
New Keyed Connection

Connection

- External sealing "O-ring" connection allows unobstructed water flow.
- No glue necessary.
- 1.05"(27mm) large volume pipe.
- Simple push together assembly.
- Keyed connection from regulator to end assembly.



High Quality UltraGal Support Conduit



Facts & Figures

Mechanical Properties	UltraGal GI Pipe	
Yield Strength (min.)	350 N/mm ²	195 N/mm ²
• 79% higher in Yield Strength		
Tensile Strength (min.)	430 N/mm ²	320 N/mm ²
• 34% higher in Tensile Strength		

Product	UltraGal	GI Pipe	Pre Zinc
Salt spray test to <5% red rust (ASTM B117)	1200 hours	576hours	147 hours
• 108% - 719% more Resistance to corrosion			

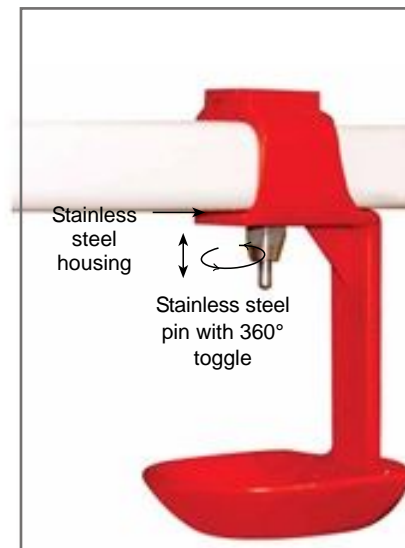


This system feature an important innovation, using ball valve sitting on toggle pin. It has a 360° side-to-side toggle action Evo-Flow screw in nipple makes drinking four times easier than ever before, the upper metering ball precisely control the flow of water through the valve and the high quality snap on drip cup which keeps the litter dry. Cumberland experience and engineering continue to bring you a complete watering system loaded with innovations and features.

Evo-Flow Nipple & Drip Cup

Cumberland Square Pipe Watering System equals most European manufacturer on overall performance

- Evo-flow screw in nipple use all stainless steel component manufactured in USA.
- Consistance flow rate of 110-120ml.



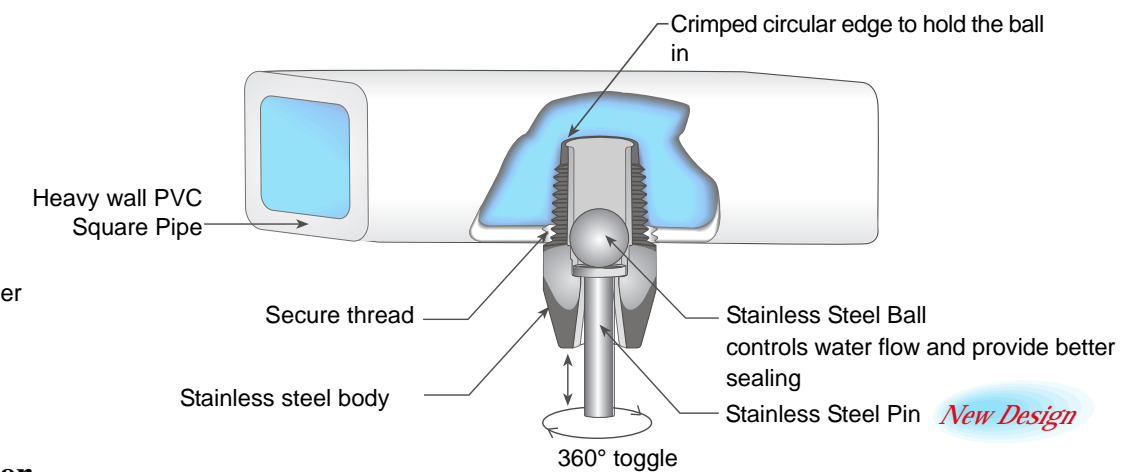
- No special wrench required for assembly.
- Cumberland uses a hardened high grade S.S. ball for a tighter seal and accurate flow control.
- Inner components are contained and will not disassemble during shipping.

Snap On Folding Hanger



New Design snap on folding hanger to give strong grip for the support conduit and PVC square pipe.

Section View on Evo-Flow Nipple



Rubber Connector

Quality hose clamp for quick installation and leak proof.